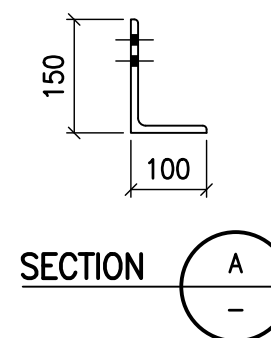
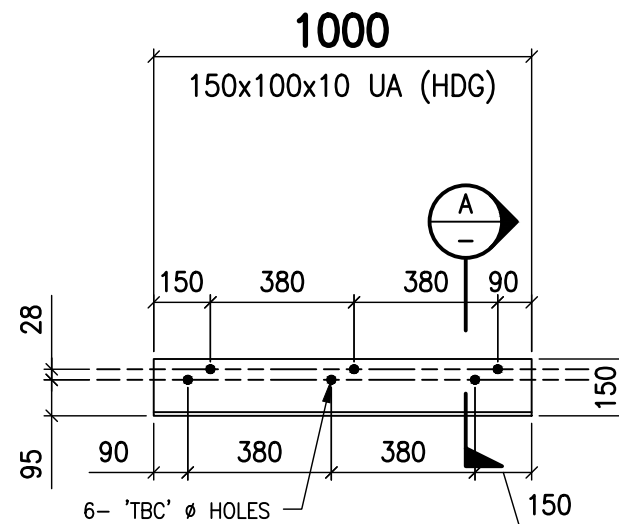


GENERAL NOTES:

1. ALL BOLTS, NUTS & WASHERS SHALL BE GALVANISED GRADE 8.8/S TO AS 1252 U.N.O.
2. ALL WORKMANSHIP AND MATERIALS SHALL BE IN ACCORDANCE WITH AS 4100.
3. ALL WELDS SHALL BE 6mm CONTINUOUS FILLET WELDS CATEGORY SP U.N.O.
4. STITCH WELDED PLATES TO UB/UC OR PFC'S SHALL BE HIT 100 MISS 200 U.N.O.
5. ALL SURFACES SHALL BE MACHINE WIRE BRUSHED & PAINTED WITH STD. PRIMER U.N.O.
6. ANY ITEMS MARKED 'GALVANISED' SHALL HAVE SUFFICIENT VENTING FOR DIPPING.
7. NO PART OF THE DRAWING SHALL BE SCALED, **IF IN DOUBT, ASK.**



PROJECT:		JOB CARD:		REVISION:
CLIENT:		DRAWN BY:	CHECKED BY:	SHEET No.
				01 OF
DRAFT ENGINE PTY LTD IS THE OWNER OF THE COPYRIGHT SUBSISTING IN THESE DRAWINGS, PLANS, DESIGNS AND SPECIFICATIONS. THEY MUST NOT BE REPRODUCED OR COPIED IN WHOLE OR IN PART WITHOUT PRIOR WRITTEN CONSENT OF DRAFT ENGINE PTY LTD.				

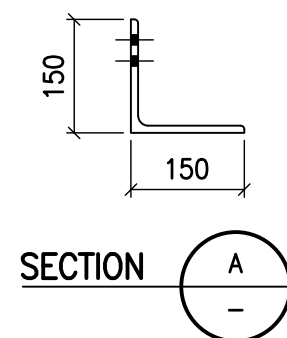
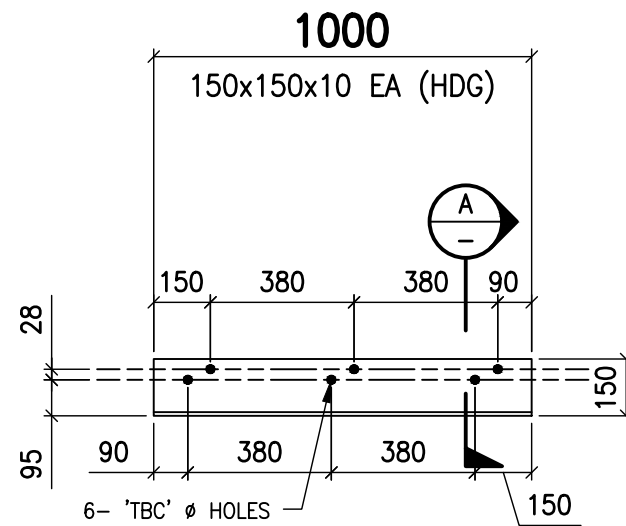


GENERAL NOTES:

1. ALL BOLTS, NUTS & WASHERS SHALL BE GALVANISED GRADE 8.8/S TO AS 1252 U.N.O.
2. ALL WORKMANSHIP AND MATERIALS SHALL BE IN ACCORDANCE WITH AS 4100.
3. ALL WELDS SHALL BE 6mm CONTINUOUS FILLET WELDS CATEGORY SP U.N.O.
4. STITCH WELDED PLATES TO UB/UC OR PFC'S SHALL BE HIT 100 MISS 200 U.N.O.
5. ALL SURFACES SHALL BE MACHINE WIRE BRUSHED & PAINTED WITH STD. PRIMER U.N.O.
6. ANY ITEMS MARKED 'GALVANISED' SHALL HAVE SUFFICIENT VENTING FOR DIPPING.
7. NO PART OF THE DRAWING SHALL BE SCALED, **IF IN DOUBT, ASK.**



PROJECT:	JOB CARD:	REVISION:
CLIENT:	DRAWN BY:	CHECKED BY: SHEET No.
		02 OF
<small>DRAFT ENGINE PTY LTD IS THE OWNER OF THE COPYRIGHT SUBSISTING IN THESE DRAWINGS, PLANS, DESIGNS AND SPECIFICATIONS. THEY MUST NOT BE REPRODUCED OR COPIED IN WHOLE OR IN PART WITHOUT PRIOR WRITTEN CONSENT OF DRAFT ENGINE PTY LTD.</small>		

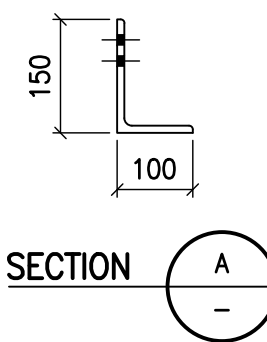
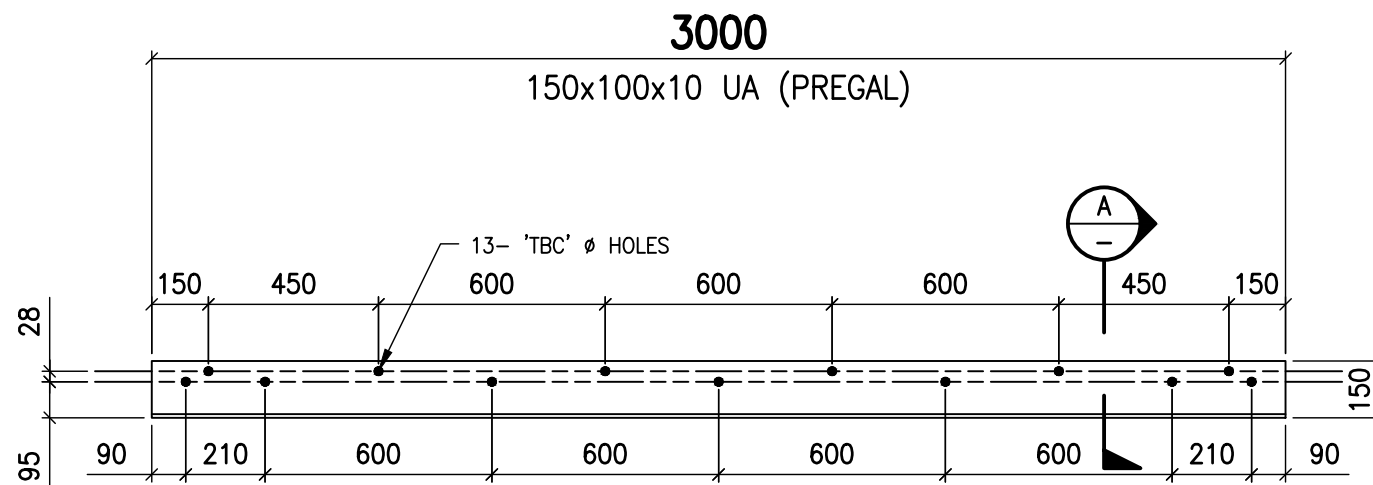


GENERAL NOTES:

1. ALL BOLTS, NUTS & WASHERS SHALL BE GALVANISED GRADE 8.8/S TO AS 1252 U.N.O.
2. ALL WORKMANSHIP AND MATERIALS SHALL BE IN ACCORDANCE WITH AS 4100.
3. ALL WELDS SHALL BE 6mm CONTINUOUS FILLET WELDS CATEGORY SP U.N.O.
4. STITCH WELDED PLATES TO UB/UC OR PFC'S SHALL BE HIT 100 MISS 200 U.N.O.
5. ALL SURFACES SHALL BE MACHINE WIRE BRUSHED & PAINTED WITH STD. PRIMER U.N.O.
6. ANY ITEMS MARKED 'GALVANISED' SHALL HAVE SUFFICIENT VENTING FOR DIPPING.
7. NO PART OF THE DRAWING SHALL BE SCALED, **IF IN DOUBT, ASK.**



PROJECT:	JOB CARD:	REVISION:
CLIENT:	DRAWN BY:	CHECKED BY:
		SHEET No. 03 OF
DRAFT ENGINE PTY LTD IS THE OWNER OF THE COPYRIGHT SUBSISTING IN THESE DRAWINGS, PLANS, DESIGNS AND SPECIFICATIONS. THEY MUST NOT BE REPRODUCED OR COPIED IN WHOLE OR IN PART WITHOUT PRIOR WRITTEN CONSENT OF DRAFT ENGINE PTY LTD.		

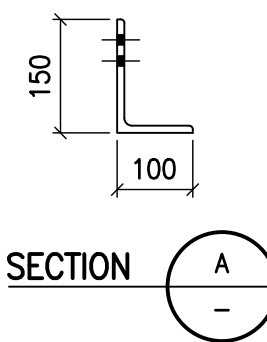
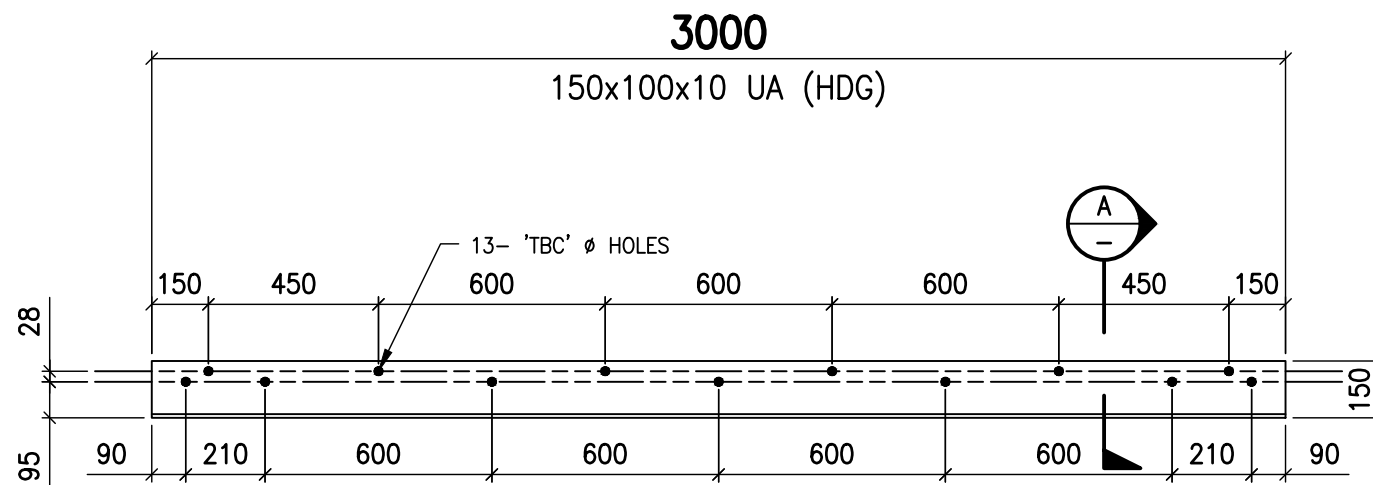


GENERAL NOTES:

1. ALL BOLTS, NUTS & WASHERS SHALL BE GALVANISED GRADE 8.8/S TO AS 1252 U.N.O.
2. ALL WORKMANSHIP AND MATERIALS SHALL BE IN ACCORDANCE WITH AS 4100.
3. ALL WELDS SHALL BE 6mm CONTINUOUS FILLET WELDS CATEGORY SP U.N.O.
4. STITCH WELDED PLATES TO UB/UC OR PFC'S SHALL BE HIT 100 MISS 200 U.N.O.
5. ALL SURFACES SHALL BE MACHINE WIRE BRUSHED & PAINTED WITH STD. PRIMER U.N.O.
6. ANY ITEMS MARKED 'GALVANISED' SHALL HAVE SUFFICIENT VENTING FOR DIPPING.
7. NO PART OF THE DRAWING SHALL BE SCALED, **IF IN DOUBT, ASK.**



PROJECT:		JOB CARD:		REVISION:
CLIENT:		DRAWN BY:	CHECKED BY:	SHEET No. 04 OF
DRAFT ENGINE PTY LTD IS THE OWNER OF THE COPYRIGHT SUBSISTING IN THESE DRAWINGS, PLANS, DESIGNS AND SPECIFICATIONS. THEY MUST NOT BE REPRODUCED OR COPIED IN WHOLE OR IN PART WITHOUT PRIOR WRITTEN CONSENT OF DRAFT ENGINE PTY LTD.				

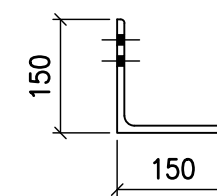
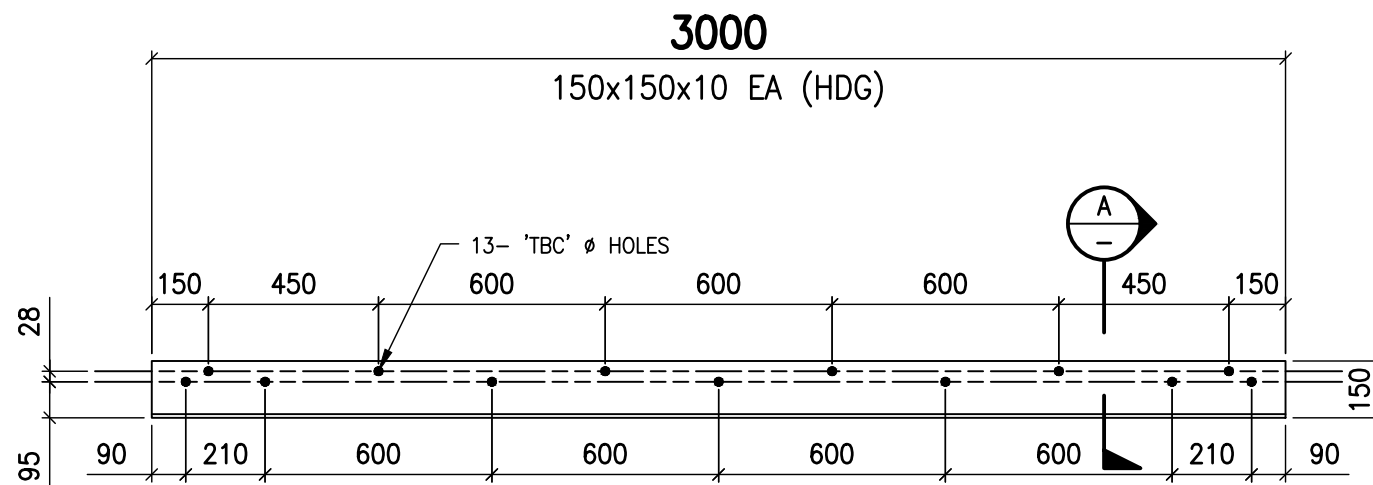


GENERAL NOTES:

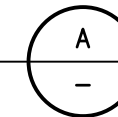
1. ALL BOLTS, NUTS & WASHERS SHALL BE GALVANISED GRADE 8.8/S TO AS 1252 U.N.O.
2. ALL WORKMANSHIP AND MATERIALS SHALL BE IN ACCORDANCE WITH AS 4100.
3. ALL WELDS SHALL BE 6mm CONTINUOUS FILLET WELDS CATEGORY SP U.N.O.
4. STITCH WELDED PLATES TO UB/UC OR PFC'S SHALL BE HIT 100 MISS 200 U.N.O.
5. ALL SURFACES SHALL BE MACHINE WIRE BRUSHED & PAINTED WITH STD. PRIMER U.N.O.
6. ANY ITEMS MARKED 'GALVANISED' SHALL HAVE SUFFICIENT VENTING FOR DIPPING.
7. NO PART OF THE DRAWING SHALL BE SCALED, **IF IN DOUBT, ASK.**



PROJECT:		JOB CARD:		REVISION:
CLIENT:		DRAWN BY:	CHECKED BY:	SHEET No. 05 OF
DRAFT ENGINE PTY LTD IS THE OWNER OF THE COPYRIGHT SUBSISTING IN THESE DRAWINGS, PLANS, DESIGNS AND SPECIFICATIONS. THEY MUST NOT BE REPRODUCED OR COPIED IN WHOLE OR IN PART WITHOUT PRIOR WRITTEN CONSENT OF DRAFT ENGINE PTY LTD.				



SECTION

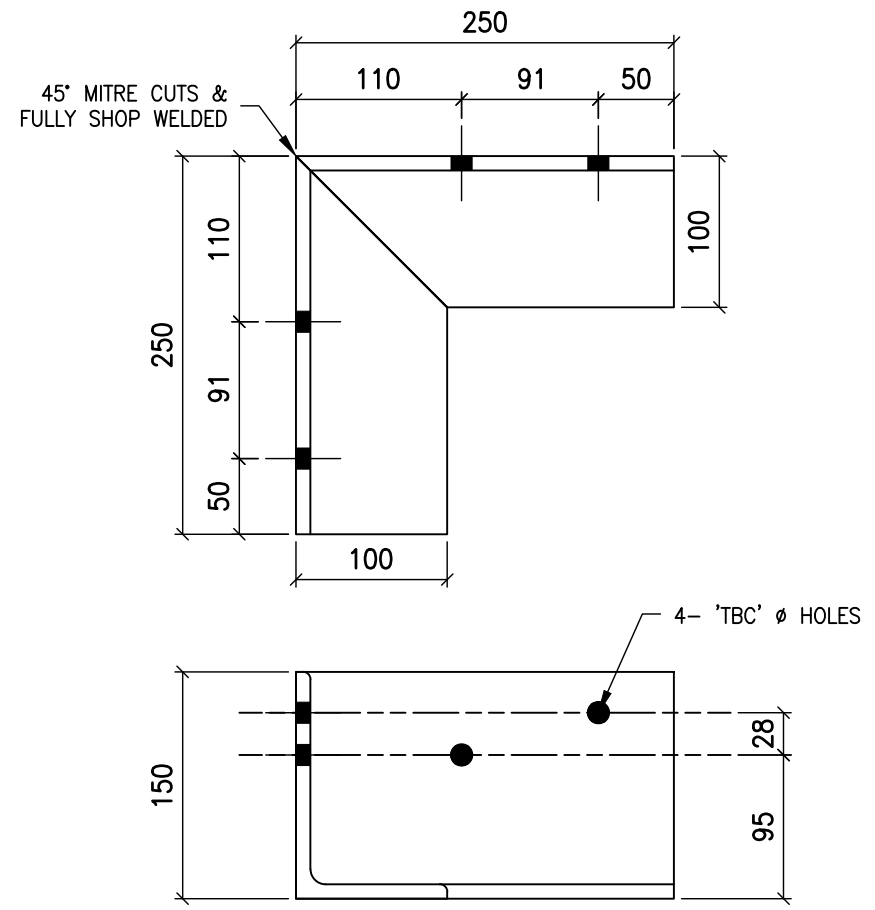


GENERAL NOTES:

1. ALL BOLTS, NUTS & WASHERS SHALL BE GALVANISED GRADE 8.8/S TO AS 1252 U.N.O.
2. ALL WORKMANSHIP AND MATERIALS SHALL BE IN ACCORDANCE WITH AS 4100.
3. ALL WELDS SHALL BE 6mm CONTINUOUS FILLET WELDS CATEGORY SP U.N.O.
4. STITCH WELDED PLATES TO UB/UC OR PFC'S SHALL BE HIT 100 MISS 200 U.N.O.
5. ALL SURFACES SHALL BE MACHINE WIRE BRUSHED & PAINTED WITH STD. PRIMER U.N.O.
6. ANY ITEMS MARKED 'GALVANISED' SHALL HAVE SUFFICIENT VENTING FOR DIPPING.
7. NO PART OF THE DRAWING SHALL BE SCALED, **IF IN DOUBT, ASK.**



PROJECT:		JOB CARD:		REVISION:
CLIENT:		DRAWN BY:	CHECKED BY:	SHEET No.
				06 OF
DRAFT ENGINE PTY LTD IS THE OWNER OF THE COPYRIGHT SUBSISTING IN THESE DRAWINGS, PLANS, DESIGNS AND SPECIFICATIONS. THEY MUST NOT BE REPRODUCED OR COPIED IN WHOLE OR IN PART WITHOUT PRIOR WRITTEN CONSENT OF DRAFT ENGINE PTY LTD.				



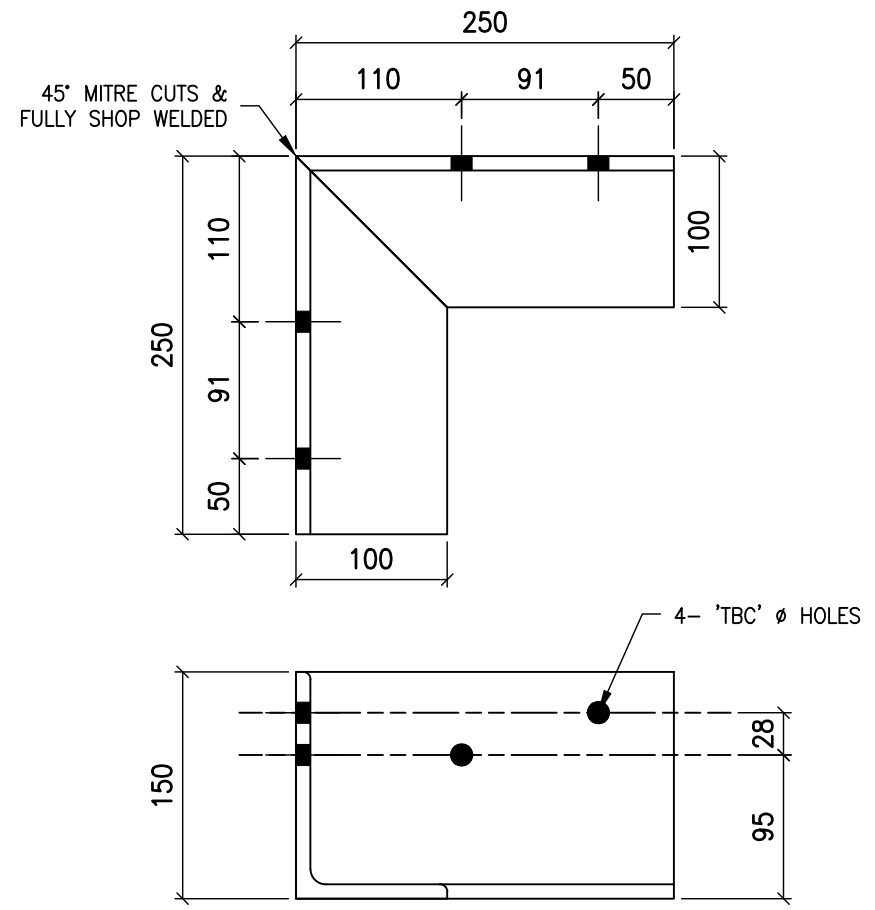
INTERNAL CORNER
150x100x10 UA (PREGAL)

GENERAL NOTES:

1. ALL BOLTS, NUTS & WASHERS SHALL BE GALVANISED GRADE 8.8/S TO AS 1252 U.N.O.
2. ALL WORKMANSHIP AND MATERIALS SHALL BE IN ACCORDANCE WITH AS 4100.
3. ALL WELDS SHALL BE 6mm CONTINUOUS FILLET WELDS CATEGORY SP U.N.O.
4. STITCH WELDED PLATES TO UB/UC OR PFC'S SHALL BE HIT 100 MISS 200 U.N.O.
5. ALL SURFACES SHALL BE MACHINE WIRE BRUSHED & PAINTED WITH STD. PRIMER U.N.O.
6. ANY ITEMS MARKED 'GALVANISED' SHALL HAVE SUFFICIENT VENTING FOR DIPPING.
7. NO PART OF THE DRAWING SHALL BE SCALED, **IF IN DOUBT, ASK.**



PROJECT:		JOB CARD:		REVISION:
CLIENT:		DRAWN BY:	CHECKED BY:	SHEET No.
				07 OF
DRAFT ENGINE PTY LTD IS THE OWNER OF THE COPYRIGHT SUBSISTING IN THESE DRAWINGS, PLANS, DESIGNS AND SPECIFICATIONS. THEY MUST NOT BE REPRODUCED OR COPIED IN WHOLE OR IN PART WITHOUT PRIOR WRITTEN CONSENT OF DRAFT ENGINE PTY LTD.				



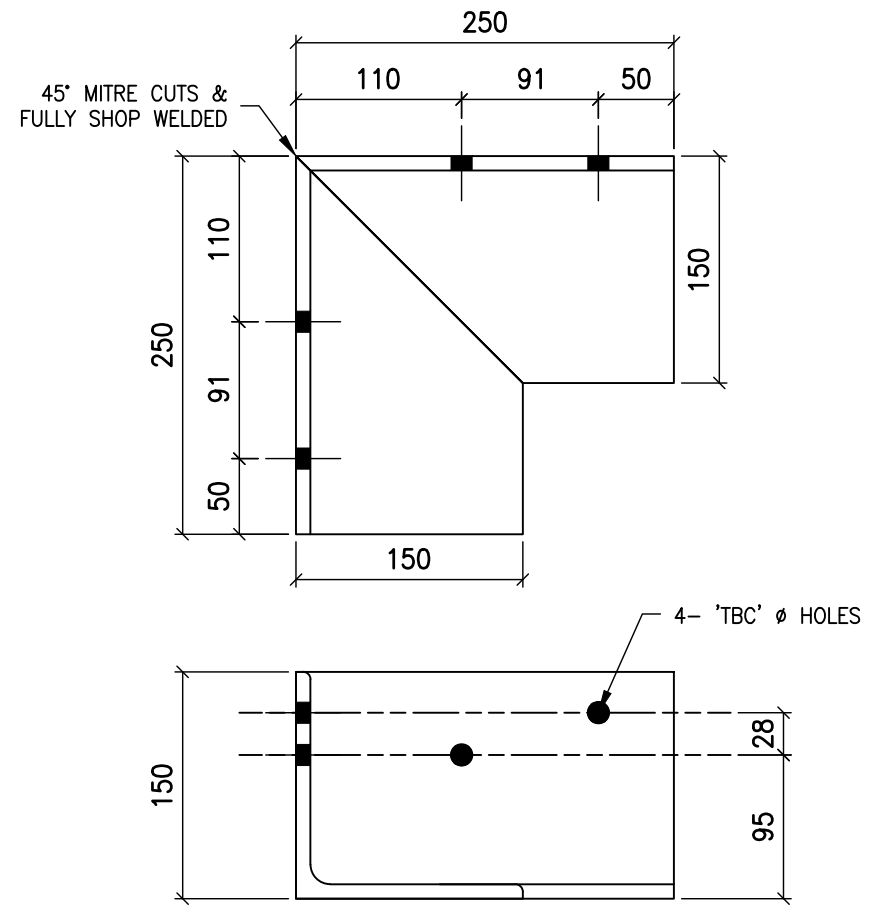
INTERNAL CORNER
150x100x10 UA (HDG)

GENERAL NOTES:

1. ALL BOLTS, NUTS & WASHERS SHALL BE GALVANISED GRADE 8.8/S TO AS 1252 U.N.O.
2. ALL WORKMANSHIP AND MATERIALS SHALL BE IN ACCORDANCE WITH AS 4100.
3. ALL WELDS SHALL BE 6mm CONTINUOUS FILLET WELDS CATEGORY SP U.N.O.
4. STITCH WELDED PLATES TO UB/UC OR PFC'S SHALL BE HIT 100 MISS 200 U.N.O.
5. ALL SURFACES SHALL BE MACHINE WIRE BRUSHED & PAINTED WITH STD. PRIMER U.N.O.
6. ANY ITEMS MARKED 'GALVANISED' SHALL HAVE SUFFICIENT VENTING FOR DIPPING.
7. NO PART OF THE DRAWING SHALL BE SCALED, **IF IN DOUBT, ASK.**



PROJECT:		JOB CARD:		REVISION:
CLIENT:		DRAWN BY:	CHECKED BY:	SHEET No.
				08 OF
DRAFT ENGINE PTY LTD IS THE OWNER OF THE COPYRIGHT SUBSISTING IN THESE DRAWINGS, PLANS, DESIGNS AND SPECIFICATIONS. THEY MUST NOT BE REPRODUCED OR COPIED IN WHOLE OR IN PART WITHOUT PRIOR WRITTEN CONSENT OF DRAFT ENGINE PTY LTD.				



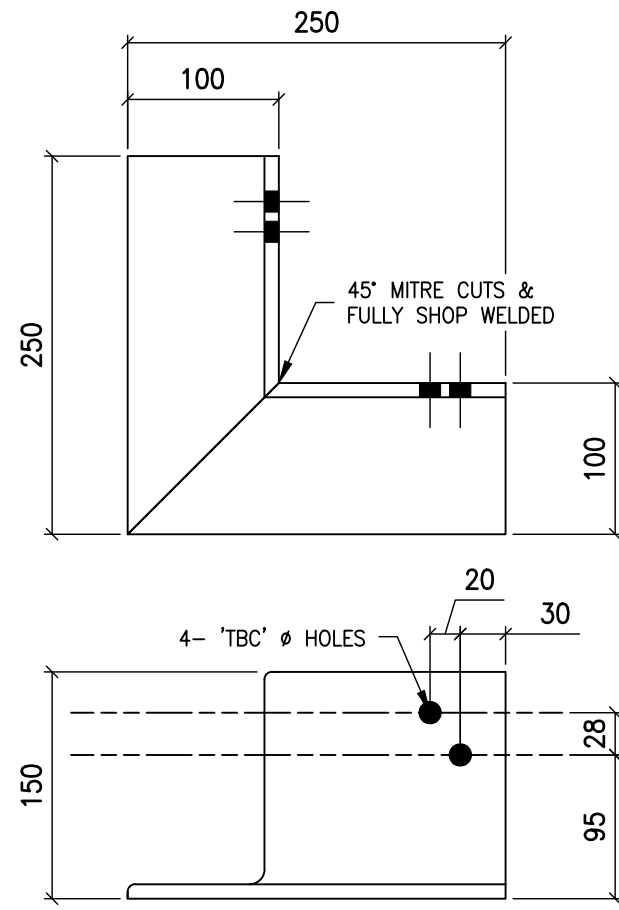
INTERNAL CORNER
150x150x10 EA (HDG)

GENERAL NOTES:

1. ALL BOLTS, NUTS & WASHERS SHALL BE GALVANISED GRADE 8.8/S TO AS 1252 U.N.O.
2. ALL WORKMANSHIP AND MATERIALS SHALL BE IN ACCORDANCE WITH AS 4100.
3. ALL WELDS SHALL BE 6mm CONTINUOUS FILLET WELDS CATEGORY SP U.N.O.
4. STITCH WELDED PLATES TO UB/UC OR PFC'S SHALL BE HIT 100 MISS 200 U.N.O.
5. ALL SURFACES SHALL BE MACHINE WIRE BRUSHED & PAINTED WITH STD. PRIMER U.N.O.
6. ANY ITEMS MARKED 'GALVANISED' SHALL HAVE SUFFICIENT VENTING FOR DIPPING.
7. NO PART OF THE DRAWING SHALL BE SCALED, **IF IN DOUBT, ASK.**



PROJECT:		JOB CARD:		REVISION:
CLIENT:		DRAWN BY:	CHECKED BY:	SHEET No.
				09 OF
DRAFT ENGINE PTY LTD IS THE OWNER OF THE COPYRIGHT SUBSISTING IN THESE DRAWINGS, PLANS, DESIGNS AND SPECIFICATIONS. THEY MUST NOT BE REPRODUCED OR COPIED IN WHOLE OR IN PART WITHOUT PRIOR WRITTEN CONSENT OF DRAFT ENGINE PTY LTD.				



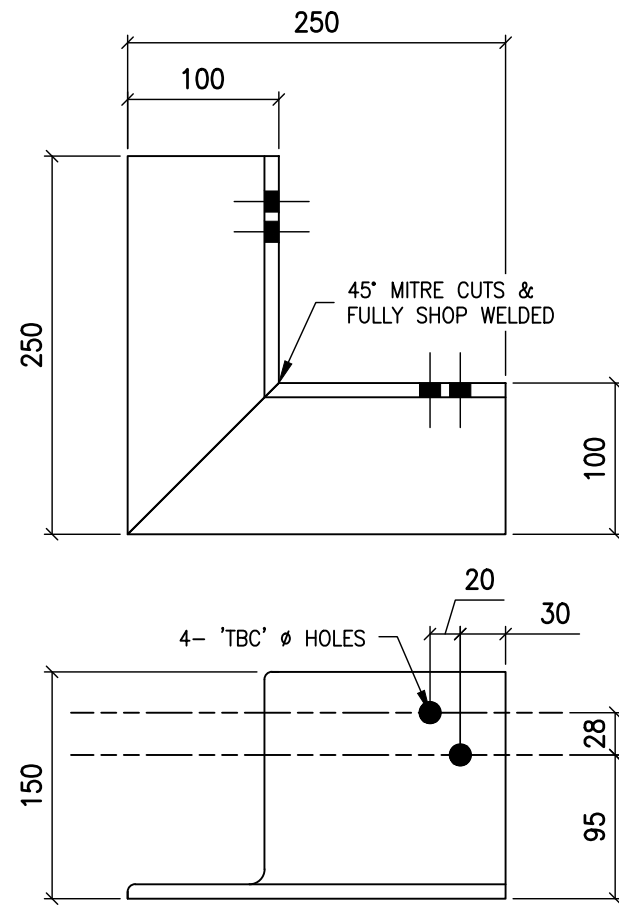
EXTERNAL CORNER
150x100x10 UA (PREGAL)

GENERAL NOTES:

1. ALL BOLTS, NUTS & WASHERS SHALL BE GALVANISED GRADE 8.8/S TO AS 1252 U.N.O.
2. ALL WORKMANSHIP AND MATERIALS SHALL BE IN ACCORDANCE WITH AS 4100.
3. ALL WELDS SHALL BE 6mm CONTINUOUS FILLET WELDS CATEGORY SP U.N.O.
4. STITCH WELDED PLATES TO UB/UC OR PFC'S SHALL BE HIT 100 MISS 200 U.N.O.
5. ALL SURFACES SHALL BE MACHINE WIRE BRUSHED & PAINTED WITH STD. PRIMER U.N.O.
6. ANY ITEMS MARKED 'GALVANISED' SHALL HAVE SUFFICIENT VENTING FOR DIPPING.
7. NO PART OF THE DRAWING SHALL BE SCALED, **IF IN DOUBT, ASK.**



PROJECT:		JOB CARD:		REVISION:
CLIENT:		DRAWN BY:	CHECKED BY:	SHEET No. 10 OF
DRAFT ENGINE PTY LTD IS THE OWNER OF THE COPYRIGHT SUBSISTING IN THESE DRAWINGS, PLANS, DESIGNS AND SPECIFICATIONS. THEY MUST NOT BE REPRODUCED OR COPIED IN WHOLE OR IN PART WITHOUT PRIOR WRITTEN CONSENT OF DRAFT ENGINE PTY LTD.				



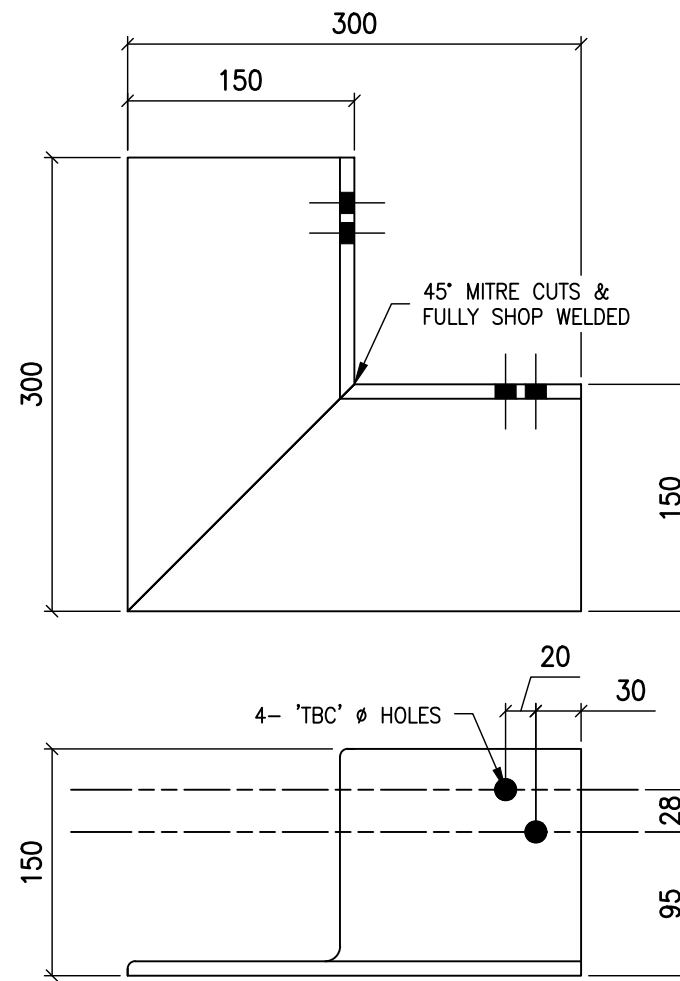
EXTERNAL CORNER
150x100x10 UA (HDG)

GENERAL NOTES:

1. ALL BOLTS, NUTS & WASHERS SHALL BE GALVANISED GRADE 8.8/S TO AS 1252 U.N.O.
2. ALL WORKMANSHIP AND MATERIALS SHALL BE IN ACCORDANCE WITH AS 4100.
3. ALL WELDS SHALL BE 6mm CONTINUOUS FILLET WELDS CATEGORY SP U.N.O.
4. STITCH WELDED PLATES TO UB/UC OR PFC'S SHALL BE HIT 100 MISS 200 U.N.O.
5. ALL SURFACES SHALL BE MACHINE WIRE BRUSHED & PAINTED WITH STD. PRIMER U.N.O.
6. ANY ITEMS MARKED 'GALVANISED' SHALL HAVE SUFFICIENT VENTING FOR DIPPING.
7. NO PART OF THE DRAWING SHALL BE SCALED, **IF IN DOUBT, ASK.**



PROJECT:		JOB CARD:		REVISION:
CLIENT:		DRAWN BY:	CHECKED BY:	SHEET No. 11 OF
DRAFT ENGINE PTY LTD IS THE OWNER OF THE COPYRIGHT SUBSISTING IN THESE DRAWINGS, PLANS, DESIGNS AND SPECIFICATIONS. THEY MUST NOT BE REPRODUCED OR COPIED IN WHOLE OR IN PART WITHOUT PRIOR WRITTEN CONSENT OF DRAFT ENGINE PTY LTD.				



EXTERNAL CORNER
150x150x10 EA (HDG)

GENERAL NOTES:

1. ALL BOLTS, NUTS & WASHERS SHALL BE GALVANISED GRADE 8.8/S TO AS 1252 U.N.O.
2. ALL WORKMANSHIP AND MATERIALS SHALL BE IN ACCORDANCE WITH AS 4100.
3. ALL WELDS SHALL BE 6mm CONTINUOUS FILLET WELDS CATEGORY SP U.N.O.
4. STITCH WELDED PLATES TO UB/UC OR PFC'S SHALL BE HIT 100 MISS 200 U.N.O.
5. ALL SURFACES SHALL BE MACHINE WIRE BRUSHED & PAINTED WITH STD. PRIMER U.N.O.
6. ANY ITEMS MARKED 'GALVANISED' SHALL HAVE SUFFICIENT VENTING FOR DIPPING.
7. NO PART OF THE DRAWING SHALL BE SCALED, **IF IN DOUBT, ASK.**



PROJECT:		JOB CARD:		REVISION:
CLIENT:		DRAWN BY:	CHECKED BY:	SHEET No. 12 OF
DRAFT ENGINE PTY LTD IS THE OWNER OF THE COPYRIGHT SUBSISTING IN THESE DRAWINGS, PLANS, DESIGNS AND SPECIFICATIONS. THEY MUST NOT BE REPRODUCED OR COPIED IN WHOLE OR IN PART WITHOUT PRIOR WRITTEN CONSENT OF DRAFT ENGINE PTY LTD.				